

# Ls 1403

Suddenly everything else is outmoded





## **Rapid swap**<sup>TM</sup>

The new Maskin Mekano technique for changing of screening media

In recent years, the use of mobile screening machines has progressed toward more sophisticated tasks, a process that Maskin Mekano has played a major part in. Now the time has come to take things to the next level and revolutionize user-friendliness.

### A new generation

Ls 1403 is an innovative screening plant featuring an uncompromising design that is suited to even the most demanding applications. We have paid close attention to every detail in order to produce a unit that adds a totally new dimension to Maskin Mekano's motto of Mobile Productivity. Feeding is performed using a vibratory feeder designed in collaboration with Skako AB for a precise fit. The hopper holds approximately 7 m<sup>3</sup> and is equipped with a reject grid that tips more than 90° to provide effective removal of large stones.

The material is moved along a 1200 mm wide conveyor to the new Rapid Swap screen, STE 3-78. The material is sorted on three decks and loaded out via four hydraulically folding conveyors.

### Rapid Swap

Capacity, Mobility and Reliability have been our core values for many years and we have now added the user-friendliness factor to this. You will notice this when you use the Ls 1403. The entire machine oozes simplicity and openness, characteristics that are most pronounced in the new screen box. The Rapid Swap concept sets a new standard. The drive package has been moved down to provide

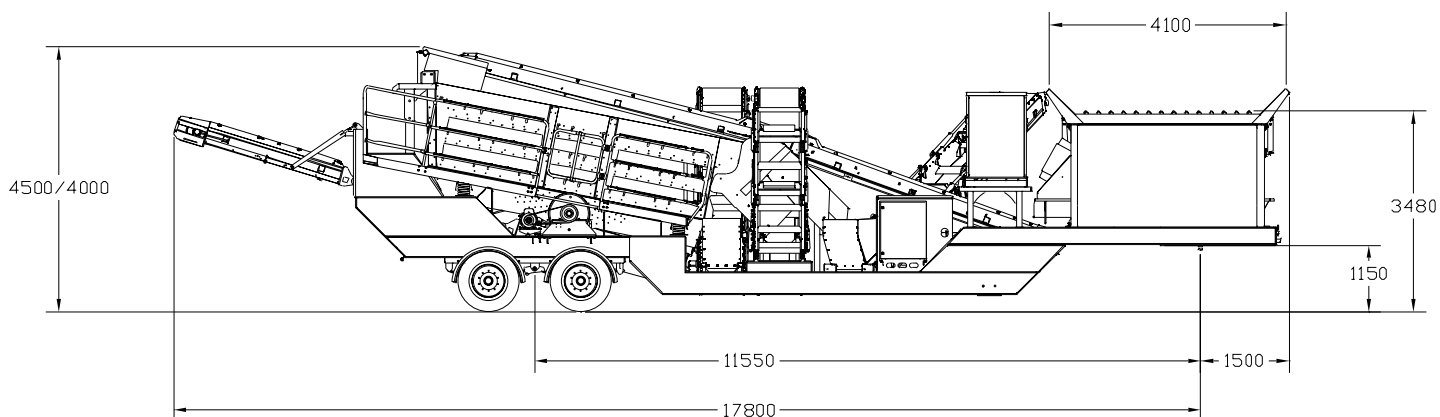
maximum accessibility. All three decks have side-tensioned screens in a format that is even manageable to a solo operator. Screens are inserted through the side of the screen box and tensioned using a newly designed tensioning device that does not need to be removed when changing screening media. The catwalks are an integrated part of the working environment where the rails also form part of the unloading area when changing screens. The only thing that isn't new is its capacity. It is still an STE screen.

### A brief overview of the new features

- Welded girders construction in the chassis (Developed in collaboration with Stål-K AB)
- Vibratory feeder (Developed in collaboration with Skako AB )
- Reject grid with additional tilt capacity. (92°)
- Warning signal when tipping the reject grid.
- 1200 mm wide conveyor for effective usage of the screen width
- New Rapid Swap screening method where the screening media is inserted via the side.
- New tensioning device in the screen without loosening bolts and washers.
- Simple tightening of side conveyor belts.
- New chute design for side conveyor with logically replaceable spare parts
- Longer side conveyors with self-supporting construction.
- Catwalks with rails that are also unloading areas during screen changes.
- The machine is also available in a two-decked version as well as a mobile screener without feeder.

## Technical Specification Maskin Mekano Ls 1403

<b>Transport length</b>	16.8 m
<b>Transport width</b>	3.0 m
<b>Transport height</b>	4.0 m
<b>Weight</b>	approx. 31.0 tonnes, depending on the equipment
<b>Bogie pressure</b>	approx. 17.0 tonnes, depending on the equipment
<b>Screen box</b>	STE 3-78 Screen surface upper deck 5.6x1.6 m, lower and middle deck 4.8x1.6 m Single axle four-bearing with 12 mm stroke 11° incline Totally enclosed electric motor 17.0 kW, 400 V
<b>Vibrating feeder</b>	Width 1100 mm Length 4.1 m Motor 2 x 5.5 kW, 400 V (Frequency controlled)
<b>Hopper</b>	Volume 6.5 m <sup>3</sup> Feed in height 3.4 m
<b>Main conveyor</b>	Belt width 1200 mm Length 10.0 m Electric motor drum 5.5 kW
<b>Side conveyors</b>	Belt width 650 mm Length 9.8 m Electric motor drum 4.0 kW Height under the drum drive 3.5 m Volume at a 45° angle of repose 45 m <sup>3</sup>
<b>Rear conveyor</b>	Belt width 1200 mm Length 8.3 m Electric motor drum 4.0 kW Height under the drum drive 3.7 m Volume at a 45° angle of repose 57 m <sup>3</sup>
<b>Electrical equip- ment</b>	Distribution box with safety breaker, safety disconnection breaker, emergency stop, preregulator as well as extra motor socket. Power inlet with 125 A CEE-device
<b>Hydraulic equip- ment</b>	Hydraulic aggregate for setting up, folding of the conveyors in and out and grid lift. Motor 4.0 kW
<b>Wheel equipment</b>	Plate spring braked bogie. Wheel dimension 22.5/65/385, 10 bolt and 2" king pin front



## Technical Specification Maskin Mekano S 1403

<b>Transport length</b>	15,0 m
<b>Transport width</b>	3.0 m
<b>Transport height</b>	4.0 m
<b>Weight</b>	approx. 24.0 tonnes, depending on the equipment
<b>Bogie pressure</b>	approx. 16.0 tonnes, depending on the equipment
<b>Screen box</b>	STE 3-78 Screen surface upper deck 5.6x1.6 m, lower and middle deck 4.8x1.6 m Single axle four-bearing with 12 mm stroke 11° incline Totally enclosed electric motor 17.0 kW, 400 V
<b>Main conveyor</b>	Belt width 1200 mm Length 10.0 m Electric motor drum 5.5 kW
<b>Side conveyors</b>	Belt width 650 mm Length 9.8 m Electric motor drum 4.0 kW Height under the drum drive 3.5 m Volume at a 45° angle of repose 45 m <sup>3</sup>
<b>Rear conveyor</b>	Belt width 1200 mm Length 8.3 m Electric motor drum 4.0 kW Height under the drum drive 3.7 m Volume at a 45° angle of repose 57 m <sup>3</sup>
<b>Electrical equipment</b>	Distribution box with safety breaker, safety disconnection breaker, emergency stop, preregulator as well as extra motor socket. Power inlet with 125 A CEE-device
<b>Hydraulic equipment</b>	Hydraulic aggregate for setting up, folding of the conveyors in and out and grid lift. Motor 4.0 kW
<b>Wheel equipment</b>	Plate spring braked bogie. Wheel dimension 22.5/65/385, 10 bolt and 2" king pin front

