

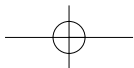
TB180FR

ZERO SWING EXCAVATOR

- A compact and innovative zero swing enables the TB180FR to efficiently operate in confined areas.
- Adjustable one piece offset boom system combined with zero swing
- Well-balanced machine weight insures superior stability.
- Excellent travel & slew speed decrease cycle time.
- Tilt-up operator's compartment provides excellent service accessibility.

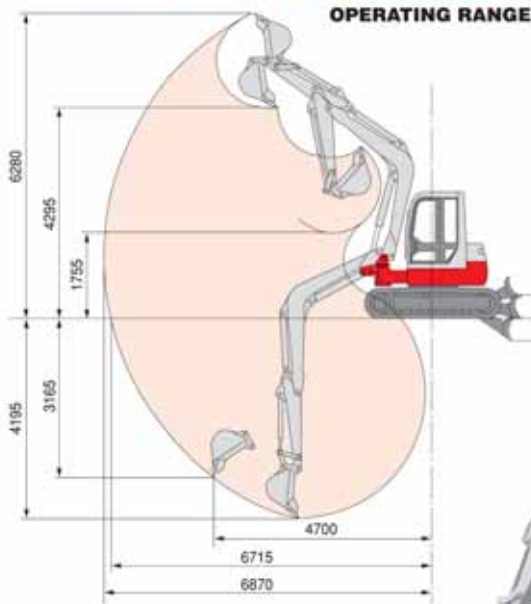


TAKEUCHI

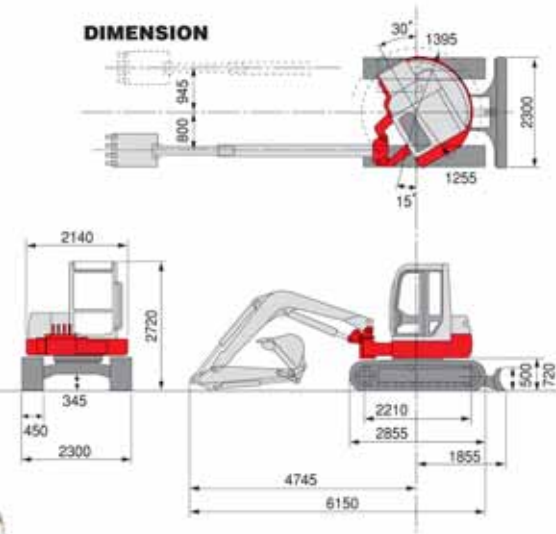


TAKEUCHI

TB180FR



DIMENSION

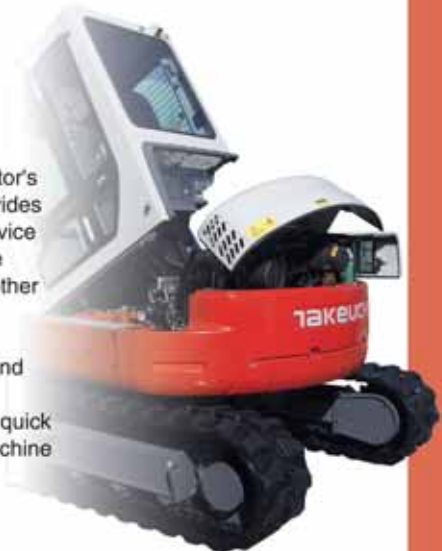


A compact and truly innovative design enables the TB180FR to efficiently operate in confined areas too narrow for conventional excavators.

A unique adjustable offset boom system combined with zero swing radius allows the TB180FR to slew 360 degrees within a very short radius.

Tilt-up operator's platform provides excellent service access to the engine and other components.

Multiple ground level access panels allow quick and easy machine servicing.



SPECIFICATIONS TB180FR (Cab, Rubber Tracked, Breaker Piping Standard)

WEIGHT		Rear Slew Radius	1255	OPERATING RANGE : mm	
Machine Weight	kg	Min. Ground Clearance	345	Max. Dig Depth	4195
BUCKET		PERFORMANCE		Max. Vertical Dig Depth	3165
Bucket Capa.	m ³	Traction Speed	km/h	Max. Dump Height	4295
Bucket Width	mm	Upper Slew Speed	min ⁻¹	Max. Dig Height	6280
DIESEL ENGINE (WATER-COOLED)		Gradeability	deg/%	Max. Dig Radius	6870
Model	4TNV98-STB1	Max Dig Power Bucket	kN	Max. Floor Dig Radius	6715
Type	4CYCL,4CYL,Direct Injection	Max Dig Power Arm	kN	Max. Bucket Offset RH/LH	945 / 800
Rated Output	kW	Ground Press	kPa	HYDRAULIC SYSTEM	
Max. Torque	N·m	DOZER BLADE : mm		Pump Type	2xVariable (P1+P2) +2xGear (P3+P4)
Displacement	mL	Width x Height	2300X500	Set Press	Mpa 30.0x2+25.3+5.1
Cool Water Capa.	L	Operating Range up/down	505 / 410	Discharge	L/min 66.0x2+55.7+11.2
Lub. Oil Capa.	L	OFF-SET DIG FUNCTION		Breaker & Service Port	L/min 66
Fuel Tank Capa.	L	Type	Boom Offset	Slew Motor	Fixed Capacity Piston
OVERALL DIMENSION:mm		Swing Angle RH/LH	15° / 30°	Traction Motor	Variable Piston (2-Speed)
Length (in transport)	6150	TRACTION SYSTEM : mm		Hydraulic Tank Capa.	L 66 (Level) / 120 (Tank)
Width	2300	Crawler (Track)	Rubber		
Height	2720	Track Width RT (ST)	450		

WORLD CREATOR OF COMPACT EXCAVATOR
TAKEUCHI MFG (UK) LTD

Lynroyle Way, Rochdale
 Lancashire OL11 3EX
 T: 01706 657722
 F: 01706 657744
 E: sales@takeuchi-mfg.co.uk
 www.takeuchi-mfg.co.uk

20 Colthrop Business Park, Colthrop Lane,
 Thatcham, Newbury, Berkshire RG19 4NB
 T: 01635 877196
 F: 01635 877195
 E: sales@takeuchi-mfg.co.uk
 www.takeuchi-mfg.co.uk