



ENGINEERED PRODUCTS

TC SERIES CONE CRUSHERS

TC - 36 FINE

Engineers and Manufacturers of Washing, Vibrating and Crushing Equipment

Description

Trio's TC Series cone crushers are well-engineered, traditionally designed bushing crushers that provide an optimal combination of proven cone crusher technology and modern, user friendly adjustment and relief systems.

Trio TC cones are equipped with a hydraulic tramp release system which incorporates a remote accumulator. The threaded bowl assembly is easily adjusted with a hydraulic motor which provides trouble free performance.

With off-the-shelf parts available from a variety of suppliers, the TC models also have many mechanical features that will be familiar to existing cone crusher users. The TC models are available in standard and short head configurations.

Like all Trio products, this equipment is backed with the company's standard one-year warranty and continuing service commitment. The Trio TC cone crushers are available exclusively through a number of value added retail distributors.

Mechanical Features

- Proven and reliable bushing design
- Consistent setting around entire circumference of the crushing chamber
- Low setting drift and effective tramp release system utilizing modern hydraulic and lubrication designs
- Advanced liner retention system for increased reliability.

Application and Interchangeability

- Easily adapted to any application by selecting proper mantle, bowl liner and adopter ring
- Designed to provide interchangeability of the critical parts among other standard popular cones.
- Full Automation possibilities such as plant DCS system.



Maximized Capacity and Yield

- Maximized capacity using proven designs.
- Enhanced speed option available to increase the capacity by up to 20%.
- Setting options available to enhance the yield i.e. high percentage of the specified product.

Maximized Production

- Avoid stalling during tramp iron passing using dual action hydraulic tramp release system
- Fine control setting adjustment and easy liner changeover with the help of hydraulic motor
- Reduced liner damages with the latest liner retention technology

Low Maintenance / Operation Cost

- Bronze bushing provides long life and low cost replacement
- Modular design provides easy accessibility to the internal parts from the top and the sides
- Non contact Labyrinth provides the robust sealing system along with the easy replacement
- Advanced materials and processes improve the service life of critical crusher components

TRIO Equipment Europe Ltd., Clonminam Industrial Park, Portlaoise, Co. Laois, Ireland.

Phone: +353 (0) 57 8661333 **Fax:** +353 (0) 57 8672550 **sales@trioeurope.com** **www.trioeurope.com**



ENGINEERED PRODUCTS

TC SERIES CONE CRUSHERS

TC - 36 FINE

Engineers and Manufacturers of Washing, Vibrating and Crushing Equipment

Liner Selection

Liner Type	Secondary		Tertiary	
	Min. Setting	Feed Open.(OS)	Min. Setting	Feed Open.(OS)
	Inch (mm)	Inch (mm)	Inch (mm)	Inch (mm)
Ex-Coarse	1" (25)	7 1/8" (180)		
Coarse	1/2" (13)	7" (175)	1/4" (6)	3" (76)
Medium			1/8" (3)	2 3/8" (60)
Fine	3/8" (10)	4 1/16" (102)	1/8" (3)	1 5/8" (41)

Note : Maximum feed size should be 80% of the open side(OS) feed opening

Open Circuit Maximum Capacities

	TPH	Closed Side Setting – Inches(mm)					
		1/8"	1/4"	3/8"	1/2"	5/8"	3/4"
		3mm	6mm	10mm	13mm	16mm	19mm
Standard Speed	Short	30	50	85	105	125	145
	Metric	27	45	77	95	113	131
Higher Speed	Short	35	58	98	120	144	166
	Metric	32	53	89	108	130	150

Product Gradations - Percent Passing

Product Size	Closed Side Setting – Inches(mm)									
	(Note: Figures for 1/4" to 3/4" Closed Side Settings are for closed circuit application and the rest are for the open circuit application)									
	STANDARD					HIGHER SPEED				
Inch mm	1/8"	1/4"	3/8"	1/2"	3/4"	1/8"	1/4"	3/8"	1/2"	3/4"
4" (100)	3	6	10	13	19	3	6	10	13	19
3" (75)										
2 1/2" (64)										
2" (50)										
1 1/2" (38)					100					100
1 1/4" (32)					90					90
1" (25)				100	85				100	85
3/4" (19)			100	85	60			100	90	70
1/2" (13)		100	85	60	35		100	90	70	50
3/8" (10)	100	85	60	40	22	100	90	70	50	31
1/4" (6)	85	60	35	22	14	90	70	50	31	22
4# (5)	60	40	22	16	11	70	50	30	22	17
6# (3)	35	24	15	12	8	50	32	22	17	12
8# (2)	22	16	11	8	6	31	22	17	12	8

Note 1: The values are for the average feed material with WI = 12 to 14

Note 2: The values in the above tables will vary with the method of feeding, feed distribution, feed segregation, crushing cavity, bulk density, fines in the feed, moisture content, fracture characteristics, speed, etc. Consult Trio Engineered Products, Inc. for more accurate estimate.

TRIO Equipment Europe Ltd., Clonminam Industrial Park, Portlaoise, Co. Laois, Ireland.

Phone: +353 (0) 57 8661333 Fax: +353 (0) 57 8672550 sales@trioeurope.com www.trioeurope.com



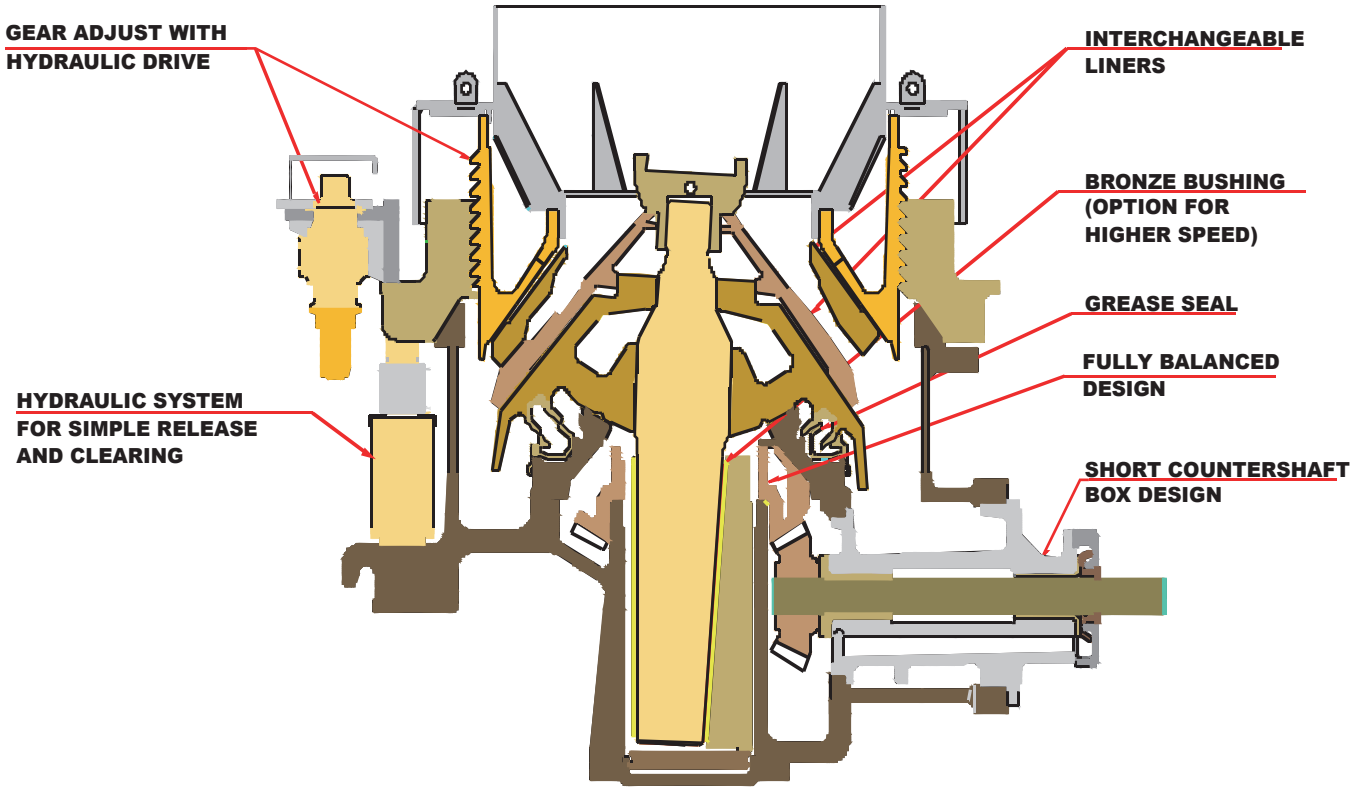
ENGINEERED PRODUCTS

TC SERIES CONE CRUSHERS

TC - 36 FINE

Engineers and Manufacturers of Washing, Vibrating and Crushing Equipment

Short Head



Hydraulic Adjust Cross Section Illustrated - Manual Adjust Standard on This Size Cone

DESCRIPTION	STANDARD		HIGHER SPEED	
	US	METRIC	US	METRIC
Speed	585 RPM	585 RPM	660 RPM	660 RPM
HP	100 HP	75 Kw	100 HP	75 Kw
Weight	26500 Lbs	12000 kg	26500 Lbs	12000 kg
Size	89x73x83"	2260x1850x2100mm	89x73x83"	2260x1850x2100mm

TRIO Equipment Europe Ltd., Clonminam Industrial Park, Portlaoise, Co. Laois, Ireland.

Phone: +353 (0) 57 8661333 Fax: +353 (0) 57 8672550 sales@trioeurope.com www.trioeurope.com