

# Trio WJ CT24x36 with TF40x16 GF Portable Jaw Primary



## Standard Features

### CT24362 Jaw Crusher

Forged, heat treated, chrome nickel steel eccentric shaft  
Fabricated and stress relieved steel base  
Hydraulic closed setting adjustment  
Reversible manganese steel jaw plates  
Oversize flywheels  
Large, spherical self-aligning roller bearings

### Jaw Drive

100 hp, 1185 rpm crusher motor  
Adjustable motor mount  
V-belt and flywheel guards

### Vibrating Grizzly Feeder

Replaceable individually bolted grizzly bars  
Adjustable feeder mechanism  
Bolt in side and pan liners  
Pivoting motor mount  
Feeder spring mounts  
Loading hopper with 3/4" plate  
Bypass chute for fines removal  
25 hp, 1785 rpm motor

## Optional Features

Complete electrical switchgear for on-plant motors  
Crusher power—diesel or electric  
Variable frequency drive for feeder

### Under Crusher Conveyor

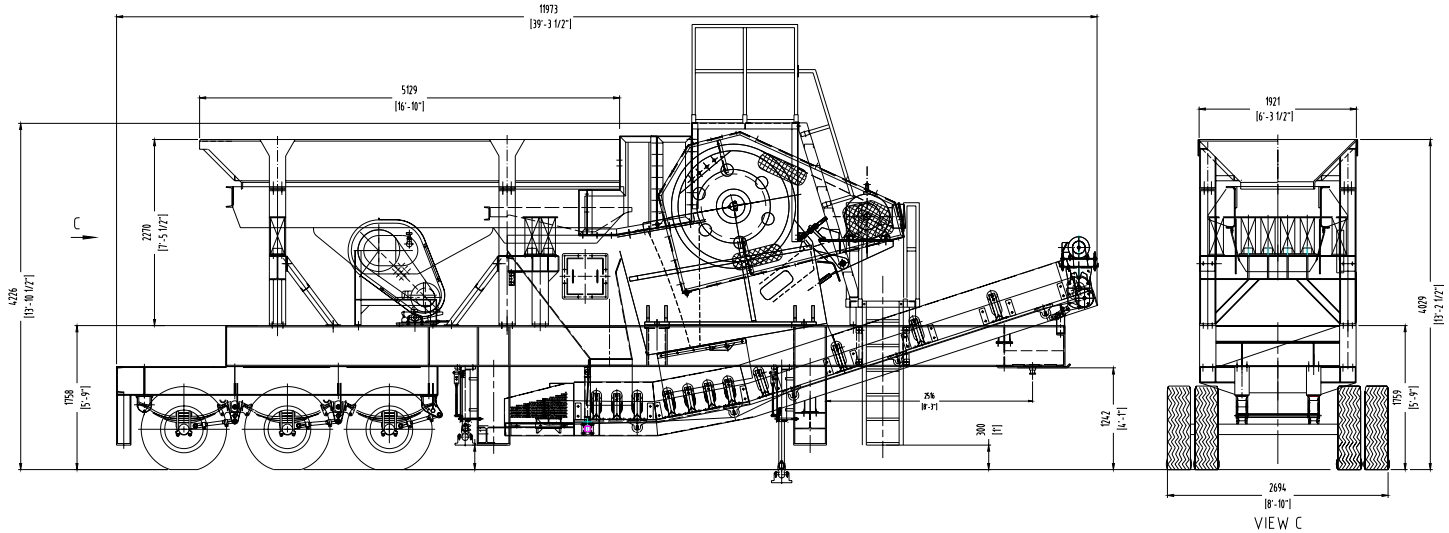
V-belt drive with guard  
Impact bed under loading area  
5" C conveyor idlers  
3 ply conveyor belting

### Chassis

Triple axle, 12 tire suspension  
Mud flaps and brakes  
Fifth wheel kingpin  
Ladders to service and observation platform  
Cribbing supports  
Skid mounted feeder module

Hydraulic leveling legs  
Screw jacks  
Grizzly bypass conveyor with flop gate chute

# Trio WJ CT24x36 with TF40x16 GF Portable Jaw Primary



## Specifications

Jaw crusher.....	24" x 36"
Jaw operating speed.....	225 rpm
Feeder.....	40" x 16'
Feeder operating speed.....	500-800 rpm
Grizzly bars.....68".....	3-1/2" opening
Pan liners .....	1"
Under crusher conveyor .....	42"
Bypass conveyor.....	24"

## Horsepower

Jaw crusher.....	100 hp
Feeder.....	25 hp
Under crusher conveyor .....	15 hp

## Weights and Dimensions

### Travel

Length.....	40'
Height .....	13'-11"
Width .....	9'
Kingpin Height.....	49"

### Estimated Weights—Assembled

Total .....	74,000 lbs
-------------	------------

### Estimated Weights—Travel

Main Chassis	
Rear.....	42,500 lbs
Kingpin.....	31,500 lbs